

Call To Order: 800-398-5471

Or visit our web site:

www.chargeaircoolers.com

VOLVO / GMC / WHITE

FLEET AIR PART #.....WGM310



Dimensional Data: WGM310

INCHES	CORE SIZE	MM
34.645"	Width	880
25.551"	Height	649
3.125"	Core Thickness	79
3.750"Flange	Inlet Connection	95
3.750"Flange	Outlet Connection	95

Truck Type:

Model	Years
WIA64TES w/Volvo Engine	

Replaces These OEM Part Numbers:

Manufacturer	OEM #
Valeo	1030096
Volvo	1676070

Ordering Information:

	AeroSeal	Turbo-Max
Order #	WGM310-FA01	WGM310-FA02
Price		

FLEET AIR PART #.....WGM31A



Dimensional Data: WGM31A

INCHES	CORE SIZE	MM
34.645"	Width	880
25.551"	Height	649
3.125"	Core Thickness	79
4.000"	Inlet Connection	100
4.000"	Outlet Connection	100

Truck Type:

Model	Years
WIA64TES	

Replaces These OEM Part Numbers:

Manufacturer	OEM #
Blackstone	1030031
Valeo	1030054, 1030075, 1030121
Volvo	21901-0002, 21901-3206
Volvo	8064563, 8174965
Volvo	817123, 8178965

Ordering Information:

	AeroSeal	Turbo-Max
Order #	WGM31A-FA01	WGM31A-FA02
Price		

Call To Order: 800-398-5471

Or visit our web site:

www.chargeaircoolers.com

VOLVO / GMC / WHITE

FLEET AIR PART #.....WGM31F



Dimensional Data: WGM31F

INCHES	CORE SIZE	MM
34.251"	Width	870
29.212"	Height	742
2.500"	Core Thickness	63
3.750"Flange	Inlet Connection	95
3.750"Flange	Outlet Connection	95

Truck Type:

Model	Years
WIA64TES w/Volvo Engine	

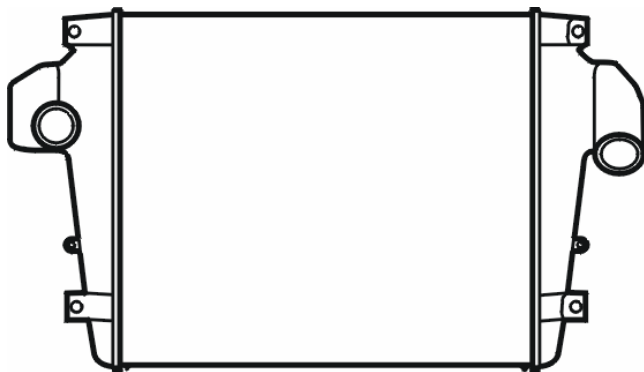
Replaces These OEM Part Numbers:

Manufacturer	OEM #
Valeo	1030148
Volvo	8181346

Ordering Information:

	AeroSeal	Turbo-Max
Order #	WGM31F-FA01	WGM31F-FA02
Price		

FLEET AIR PART #.....WGM31H



Dimensional Data: WGM31H

INCHES	CORE SIZE	MM
34.251"	Width	870
29.212"	Height	742
2.500"	Core Thickness	63
4.000"	Inlet Connection	100
4.000"	Outlet Connection	100

Truck Type:

Model	Years
WIA64TES	

Replaces These OEM Part Numbers:

Manufacturer	OEM #
Valeo	1030125
Valeo	817139
Volvo	8181250

Ordering Information:

	AeroSeal	Turbo-Max
Order #	WGM31H-FA01	WGM31H-FA02
Price		

Call To Order: 800-398-5471

Or visit our web site:

www.chargeaircoolers.com

VOLVO / GMC / WHITE

FLEET AIR PART #.....WGM31B



Dimensional Data: WGM31B

INCHES	CORE SIZE	MM
34.448"	Width	875
23.188"	Height	589
3.125"	Core Thickness	79
4.000"	Inlet Connection	100
4.000"	Outlet Connection	100

Truck Type:

Model	Years
WG Models, all Volvo Engines	

Replaces These OEM Part Numbers:

Manufacturer	OEM #
Blackstone	1030041, 1030050
Volvo	21901-0004, 21901-3210
Volvo	21901-3211, 21901-3213
Valeo	817121

Ordering Information:

	AeroSeal	Turbo-Max
Order #	WGM31B-FA01	WGM31B-FA02
Price		

FLEET AIR PART #.....WGM31M



Dimensional Data: WGM31M

INCHES	CORE SIZE	MM
34.251"	Width	870
26.220"	Height	666
2.500"	Core Thickness	63
4.000"	Inlet Connection	100
4.000"	Outlet Connection	100

Truck Type:

Model	Years
WG Models	

Replaces These OEM Part Numbers:

Manufacturer	OEM #
Valeo	1030124, 1030156
Volvo	3935364
Valeo	817138
Volvo	8180873

Ordering Information:

	AeroSeal	Turbo-Max
Order #	WGM31M-FA01	WGM31M-FA02
Price		

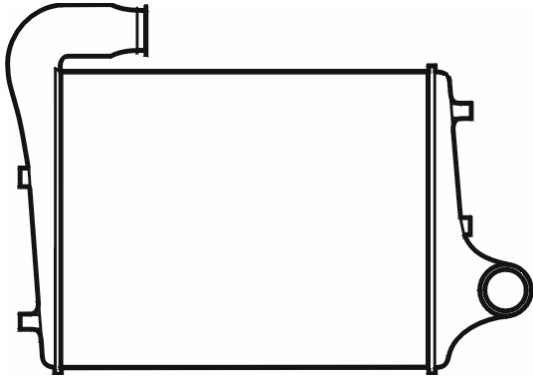
Call To Order: 800-398-5471

Or visit our web site:

www.chargeaircoolers.com

VOLVO / GMC / WHITE

FLEET AIR PART #.....WGM30B



Dimensional Data: WGM30B

INCHES	CORE SIZE	MM
25.000"	Width	635
20.125"	Height	511
2.813"	Core Thickness	71
3.250" Flange	Inlet Connection	82
3.375" Flange	Outlet Connection	85

Truck Type:

Model	Years

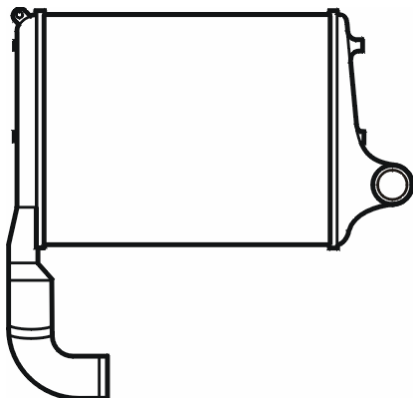
Replaces These OEM Part Numbers:

Manufacturer	OEM #
Valeo	1030062
Valeo	817125
Volvo	3085390

Ordering Information:

	AeroSeal	Turbo-Max
Order #	WGM30B-FA01	WGM30B-FA02
Price		

FLEET AIR PART #.....WGM30G



Dimensional Data: WGM30G

INCHES	CORE SIZE	MM
25.000"	Width	635
20.125"	Height	511
2.813"	Core Thickness	71
3.250"	Inlet Connection	82
3.375"	Outlet Connection	85

Truck Type:

Model	Years

Replaces These OEM Part Numbers:

Manufacturer	OEM #
Valeo	817140
Volvo	8178993
Volvo	8179101

Ordering Information:

	AeroSeal	Turbo-Max
Order #	WGM30G-FA01	WGM30G-FA02
Price		

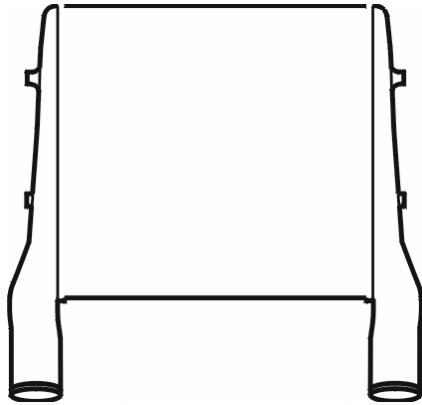
Call To Order: 800-398-5471

Or visit our web site:

www.chargeaircoolers.com

VOLVO / GMC / WHITE

FLEET AIR PART #.....WGM30D



Dimensional Data: WGM30D

INCHES	CORE SIZE	MM
22.375"	Width	568
21.625"	Height	549
2.750"	Core Thickness	69
3.500"	Inlet Connection	88
3.500"	Outlet Connection	88

Truck Type:

Model	Years

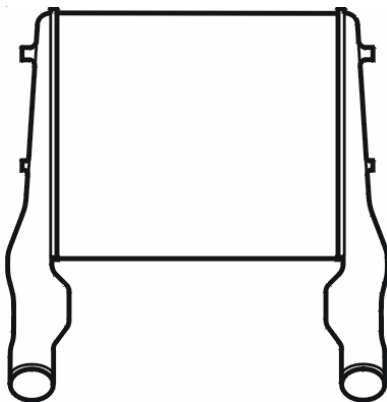
Replaces These OEM Part Numbers:

Manufacturer	OEM #
Volvo	3081776
Valeo	1030057

Ordering Information:

	AeroSeal	Turbo-Max
Order #	WGM30D-FA01	WGM30D-FA02
Price		

FLEET AIR PART #.....WGM30H



Dimensional Data: WGM30H

INCHES	CORE SIZE	MM
22.375"	Width	568
19.375"	Height	492
2.750"	Core Thickness	69
3.500"	Inlet Connection	88
3.500"	Outlet Connection	88

Truck Type:

Model	Years

Replaces These OEM Part Numbers:

Manufacturer	OEM #
Valeo	1030014
Volvo	817134

Ordering Information:

	AeroSeal	Turbo-Max
Order #	WGM30H-FA01	WGM30H-FA02
Price		

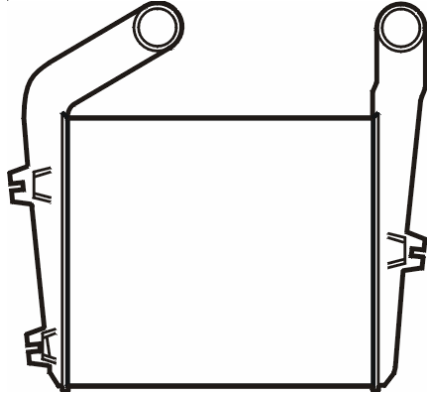
Call To Order: 800-398-5471

Or visit our web site:

www.chargeaircoolers.com

VOLVO / GMC / WHITE

FLEET AIR PART #.....WGM31C



Dimensional Data: WGM31C

INCHES	CORE SIZE	MM
28.346"	Width	720
25.551"	Height	649
2.750"	Core Thickness	69
4.000"	Inlet Connection	100
4.000"	Outlet Connection	100

Truck Type:

Model	Years
Volvo White Cabover	

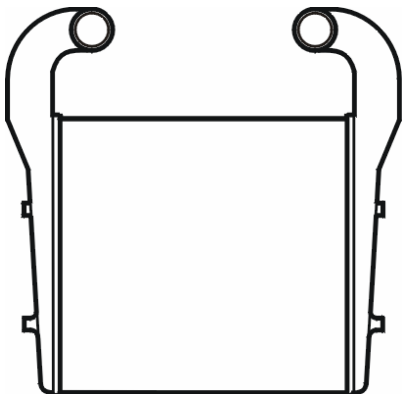
Replaces These OEM Part Numbers:

Manufacturer	OEM #
Blackstone	1030029
Valeo	817118
Volvo	2901-3205

Ordering Information:

	AeroSeal	Turbo-Max
Order #	WGM31C-FA01	WGM31C-FA02
Price		

FLEET AIR PART #.....WGM30i



Dimensional Data: WGM30i

INCHES	CORE SIZE	MM
22.362"	Width	568
21.614"	Height	549
N.A."	Core Thickness	N.A.
3.500"	Inlet Connection	88
3.500"	Outlet Connection	88

Truck Type:

Model	Years

Replaces These OEM Part Numbers:

Manufacturer	OEM #
Valeo	1030069
Volvo	3086342
Volvo	98051801

Ordering Information:

	AeroSeal	Turbo-Max
Order #	WGM30i-FA01	WGM30i-FA02
Price		

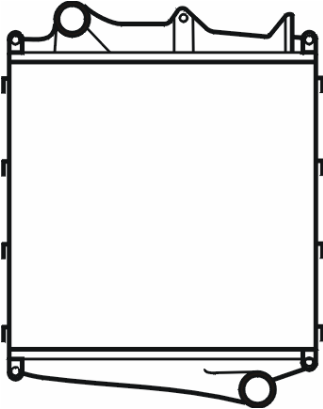
Call To Order: 800-398-5471

Or visit our web site:

www.chargeaircoolers.com

VOLVO / GMC / WHITE

FLEET AIR PART #.....WGM30E



Dimensional Data: WGM30E

INCHES	CORE SIZE	MM
34.250"	Width	870
35.826"	Height	910
2.500"	Core Thickness	63
4.000" Flange	Inlet Connection	100
4.000" Flange	Outlet Connection	100

Truck Type:

Model	Years
VN Volvo w/Volvo Engine	1998 & Up

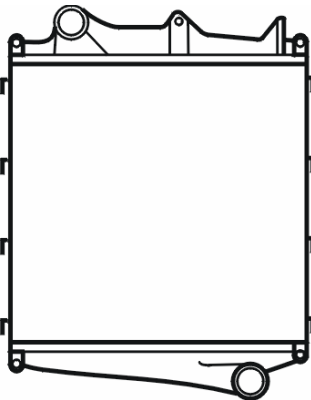
Replaces These OEM Part Numbers:

Manufacturer	OEM #
Volvo	1676633, 8027666
Valeo	1030114, 1030154
Volvo	8117125, 8149562
Volvo	3183920

Ordering Information:

	AeroSeal	Turbo-Max
Order #	WGM30E-FA01	WGM30E-FA02
Price		

FLEET AIR PART #.....WGM30C



Dimensional Data: WGM30C

INCHES	CORE SIZE	MM
34.250"	Width	870
35.826"	Height	910
2.500"	Core Thickness	63
4.000"	Inlet Connection	100
4.000"	Outlet Connection	100

Truck Type:

Model	Years
VN Volvo, Detroit Cat Cum Eng	1998 & Up

Replaces These OEM Part Numbers:

Manufacturer	OEM #
Volvo	3970775
Valeo	1030150, 1050005
Volvo	20370257, 97031701
Volvo	978011901, 99121401
Volvo	97081101

Ordering Information:

	AeroSeal	Turbo-Max
Order #	WGM30C-FA01	WGM30C-FA02
Price		

Call To Order: 800-398-5471

Or visit our web site:

www.chargeaircoolers.com

VOLVO / GMC / WHITE

FLEET AIR PART #.....WGM31G

Truck Type:

Model	Years

Replaces These OEM Part Numbers:

Manufacturer	OEM #
Volvo	1664585
Volvo	8112553
Volvo	1676590



Dimensional Data: WGM31G

INCHES	CORE SIZE	MM
34.645"	Width	880
24.724"	Height	628
2.500"	Core Thickness	63
3.375"Flange	Inlet Connection	85
3.375"Flange	Outlet Connection	85

Ordering Information:

	AeroSeal	Turbo-Max
Order #	WGM31G-FA01	WGM31G-FA02
Price		

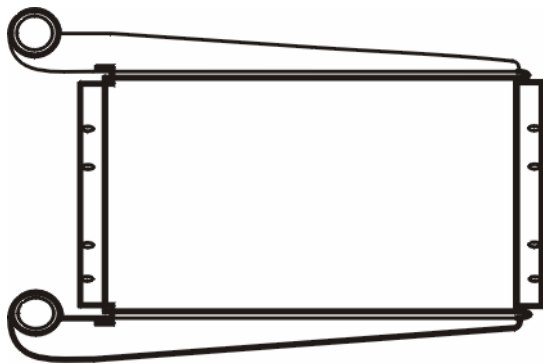
FLEET AIR PART #.....WGM30A

Truck Type:

Model	Years
Auto Car, In/Out on drivers side	

Replaces These OEM Part Numbers:

Manufacturer	OEM #
Volvo	21901-3201
Volvo	30471, 540615
Valeo	1030011, 103011
Valeo	817117



Dimensional Data: WGM30A

INCHES	CORE SIZE	MM
34.527"	Width	877
18.897"	Height	480
3.250"	Core Thickness	82
4.000"	Inlet Connection	100
4.000"	Outlet Connection	100

Ordering Information:

	AeroSeal	Turbo-Max
Order #	WGM30A-FA01	WGM30A-FA02
Price		

Call To Order: 800-398-5471

Or visit our web site:

www.chargeaircoolers.com

VOLVO / GMC / WHITE

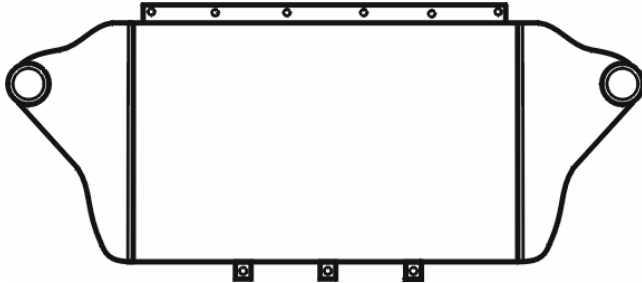
FLEET AIR PART #.....WGM31D

Truck Type:

Model	Years

Replaces These OEM Part Numbers:

Manufacturer	OEM #
Garrett	493-532-3



Dimensional Data: WGM31D

INCHES	CORE SIZE	MM
38.976"	Width	990
24.875"	Height	631
N.A."	Core Thickness	N.A.
4.000"	Inlet Connection	100
4.000"	Outlet Connection	100

Ordering Information:

	AeroSeal	Turbo-Max
Order #	WGM31D-FA01	WGM31D-FA02
Price		

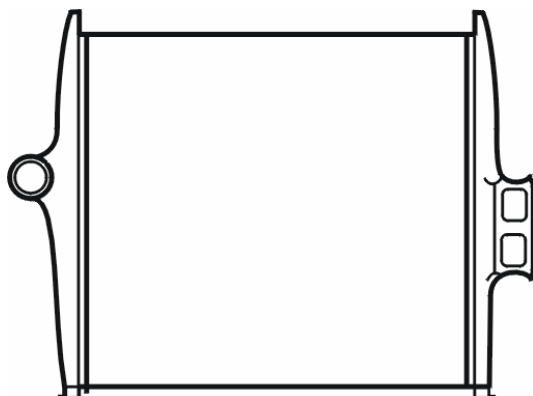
FLEET AIR PART #.....WGM31J

Truck Type:

Model	Years

Replaces These OEM Part Numbers:

Manufacturer	OEM #
Volvo	1542735



Dimensional Data: WGM31J

INCHES	CORE SIZE	MM
29.125"	Width	739
30.250"	Height	768
N.A."	Core Thickness	N.A.
2.812X8.812"	Inlet Connection	71x223
3.375" Flange	Outlet Connection	85

Ordering Information:

	AeroSeal	Turbo-Max
Order #	WGM31J-FA01	WGM31J-FA02
Price		

Call To Order: 800-398-5471

Or visit our web site:

www.chargeaircoolers.com

VOLVO / GMC / WHITE

FLEET AIR PART #.....WGM31N

Truck Type:

Model	Years
WG Model with Volvo Engine	

Replaces These OEM Part Numbers:

Manufacturer	OEM #
Volvo	1676069



Dimensional Data: WGM31N

INCHES	CORE SIZE	MM
38.500"	Width	977
25.937"	Height	658
2.750"	Core Thickness	69
3.937" Flange	Inlet Connection	100
3.937" Flange	Outlet Connection	100

Ordering Information:

	AeroSeal	Turbo-Max
Order #	WGM31N-FA01	WGM31N-FA02
Price		

FLEET AIR PART #.....WGM31R

Truck Type:

Model	Years

Replaces These OEM Part Numbers:

Manufacturer	OEM #
Volvo	8112368
Volvo	1675583



Dimensional Data: WGM31R

INCHES	CORE SIZE	MM
31.375"	Width	796
22.375"	Height	568
N.A."	Core Thickness	N.A.
3.375"	Inlet Connection	85
3.375"	Outlet Connection	85

Ordering Information:

	AeroSeal	Turbo-Max
Order #	WGM31R-FA01	WGM31R-FA02
Price		

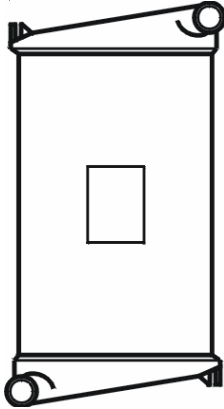
Call To Order: 800-398-5471

Or visit our web site:

www.chargeaircoolers.com

VOLVO / GMC / WHITE

FLEET AIR PART #.....WGM31i



Dimensional Data: WGM31i

INCHES	CORE SIZE	MM
31.375"	Width	796
21.687"	Height	550
N.A."	Core Thickness	N.A.
3.125"	Inlet Connection	79
3.125"	Outlet Connection	79

Truck Type:

Model	Years
FE Model w/PTO	

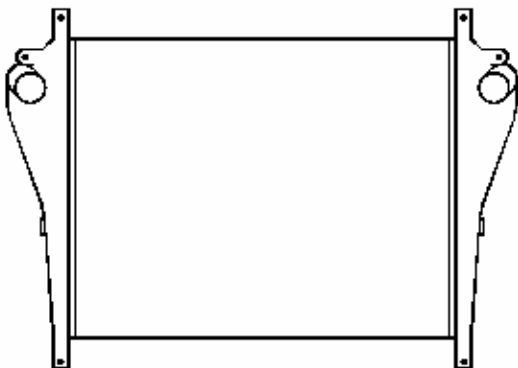
Replaces These OEM Part Numbers:

Manufacturer	OEM #
Valeo	1030065
Volvo	21901-3216

Ordering Information:

	AeroSeal	Turbo-Max
Order #	WGM31i-FA01	WGM31i-FA02
Price		

FLEET AIR PART #.....WGM30P



Dimensional Data: WGM30P

INCHES	CORE SIZE	MM
32.313"	Width	808
26.500"	Height	663
2.500"	Core Thickness	63
4.000"Flange	Inlet Connection	100
4.000"Flange	Outlet Connection	100

Truck Type:

Model	Years
VHD with Volvo Engine	

Replaces These OEM Part Numbers:

Manufacturer	OEM #
Volvo	3188890
Valeo	1030215
Volvo	00101101

Ordering Information:

	AeroSeal	Turbo-Max
Order #	WGM30P-FA01	WGM30P-FA02
Price		