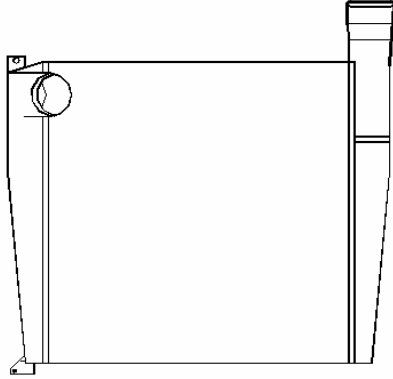


Call To Order: 800-398-5471
 Or visit our web site:
 www.chargeaircoolers.com

SETRA BUS

FLEET AIR PARTSET110A



Dimensional Data: SET110A

INCHES	CORE SIZE	MM
25.750"	Width	645
27.437"	Height	469
N.A."	Core Thickness	N.A.
4.000"	Inlet Connection	100
4.000"	Outlet Connection	100

Truck Type:

Model	Years

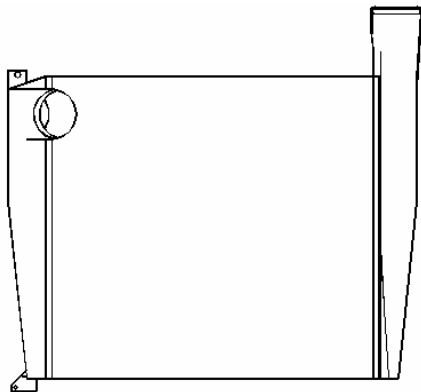
Replaces These OEM Part Numbers:

Manufacturer	OEM #
Serta	1332204.113
Serta	4000732

Ordering Information:

	AeroSeal	Turbo-Max
Order #	SET110A-FA01	SET110A-FA02
Price		

FLEET AIR PART #.....SET110B



Dimensional Data: SET110B

INCHES	CORE SIZE	MM
25.750"	Width	645
24.125"	Height	604
N.A."	Core Thickness	N.A.
4.000"	Inlet Connection	100
4.000"	Outlet Connection	100

Truck Type:

Model	Years

Replaces These OEM Part Numbers:

Manufacturer	OEM #
Serta	1522325
Serta	1373235
Serta	134 3227 (also see SET110C)

Ordering Information:

	AeroSeal	Turbo-Max
Order #	SET110B-FA01	SET110B-FA02
Price		

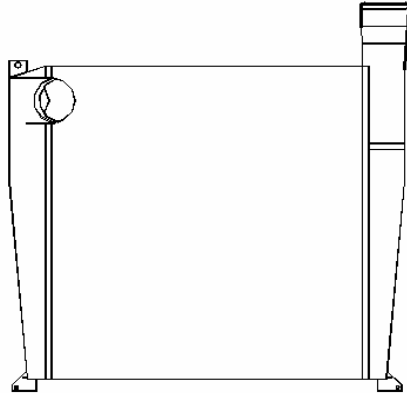
Call To Order: 800-398-5471

Or visit our web site:

www.chargeaircoolers.com

SETRA BUS

FLEET AIR PARTSET110C



Dimensional Data: SET110C

INCHES	CORE SIZE	MM
25.750"	Width	645
27.437"	Height	686
N.A."	Core Thickness	N.A.
4.000"	Inlet Connection	100
4.000"	Outlet Connection	100

Truck Type:

Model	Years

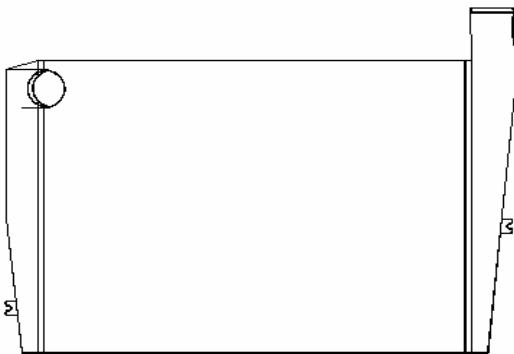
Replaces These OEM Part Numbers:

Manufacturer	OEM #
Serta	134 3227 (also see SET110B)

Ordering Information:

	AeroSeal	Turbo-Max
Order #	SET110C-FA01	SET110C-FA02
Price		

FLEET AIR PART #.....SET110E



Dimensional Data: SET110E

INCHES	CORE SIZE	MM
39.250"	Width	982
30.750"	Height	769
2.500"	Core Thickness	63
4.000"	Inlet Connection	100
4.000"	Outlet Connection	100

Truck Type:

Model	Years
Cardinal Bus II	

Replaces These OEM Part Numbers:

Manufacturer	OEM #
N.A.	N.A.

Ordering Information:

	AeroSeal	Turbo-Max
Order #	SET110E-FA01	SET110E-FA02
Price		