

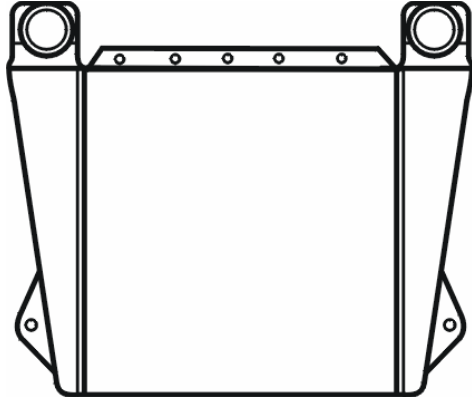
Call To Order: 800-398-5471

Or visit our web site:

www.chargeaircoolers.com

# PETERBILT

## FLEET AIR PART #.....PB22A



**Dimensional Data: PB22A**

INCHES	CORE SIZE	MM
25.000"	Width	635
27.204"	Height	691
2.625"	Core Thickness	66
4.500"	Inlet Connection	114
4.500"	Outlet Connection	114

### Truck Type:

Model	Years
All Conventionals	1987—1988
357—379 HP & 362 HP Cab-Over	

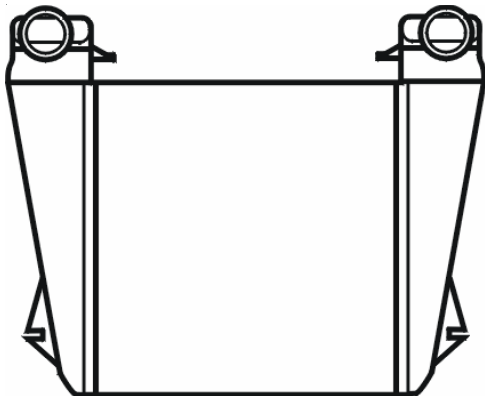
### Replaces These OEM Part Numbers:

Manufacturer	OEM #
Modine	IE 3012G, IE 3018
Modine	IE 3012, IE 3267
Peterbilt	05-14968

### Ordering Information:

	<b>AeroSeal</b>	<b>Turbo-Max</b>
Order #	PB22A-FA01	PB22A-FA02
Price		

## FLEET AIR PART #.....PB21A



**Dimensional Data: PB21A**

INCHES	CORE SIZE	MM
25.000"	Width	635
27.204"	Height	691
2.625"	Core Thickness	66
4.500"	Inlet Connection	114
4.500"	Outlet Connection	114

### Truck Type:

Model	Years
All Conventionals	1989—1994
357—379 HP & 362 HP Cab-Over	Up to July 1994

### Replaces These OEM Part Numbers:

Manufacturer	OEM #
Modine	IE 3267G, IE 3293, IE 3390
Modine	IE 3447
Peterbilt	05-16674, 05-16676L
Peterbilt	05-16904, 05-17631
Peterbilt	23-12444

### Ordering Information:

	<b>AeroSeal</b>	<b>Turbo-Max</b>
Order #	PB21A-FA01	PB21A-FA02
Price		

Call To Order: 800-398-5471

Or visit our web site:

www.chargeaircoolers.com

# PETERBILT

## FLEET AIR PART #.....PB20B



**Dimensional Data: PB20B**

INCHES	CORE SIZE	MM
33.661"	Width	855
30.669"	Height	779
2.000"	Core Thickness	50
4.000"	Inlet Connection	100
4.000"	Outlet Connection	100

### Truck Type:

Model	Years
All Conventionals	July 1994 & Up
357, 375, 379, & 385 HP	

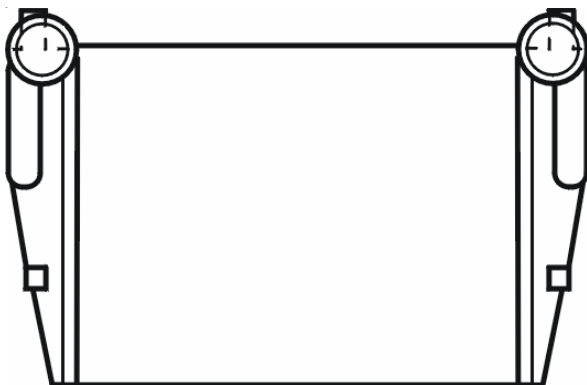
### Replaces These OEM Part Numbers:

Manufacturer	OEM #
Modine	IE 3816
Peterbilt	05-18731
Peterbilt	F31-6011

### Ordering Information:

	<b>AeroSeal</b>	<b>Turbo-Max</b>
Order #	PB20B-FA01	PB20B-FA02
Price		

## FLEET AIR PART #.....PB20A



**Dimensional Data: PB20A**

INCHES	CORE SIZE	MM
26.968"	Width	685
23.622"	Height	600
2.625"	Core Thickness	66
4.000"	Inlet Connection	100
4.000"	Outlet Connection	100

### Truck Type:

Model	Years
Kenworth W900L	1990

### Replaces These OEM Part Numbers:

Manufacturer	OEM #
Modine	IE 3391, IE 3294
Modine	IE 3317, IE 3446
Peterbilt	05-16906, 05-163391
Peterbilt	105-10906

### Ordering Information:

	<b>AeroSeal</b>	<b>Turbo-Max</b>
Order #	PB20A-FA01	PB20A-FA02
Price		

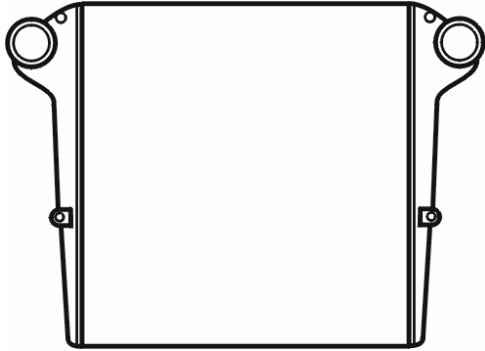
Call To Order: 800-398-5471

Or visit our web site:

www.chargeaircoolers.com

# PETERBILT

## FLEET AIR PART #.....PB20C



### Dimensional Data: PB20C

INCHES	CORE SIZE	MM
23.312"	Width	592
24.937"	Height	633
N.A."	Core Thickness	N.A.
3.625"	Inlet Connection	92
3.625"	Outlet Connection	92

### Truck Type:

Model	Years

### Replaces These OEM Part Numbers:

Manufacturer	OEM #
Modine	IE 3622

### Ordering Information:

	<b>AeroSeal</b>	<b>Turbo-Max</b>
Order #	PB20C-FA01	PB20C-FA02
Price		

## FLEET AIR PART #.....PB24A



### Dimensional Data: PB24A

INCHES	CORE SIZE	MM
34.875"	Width	885
17.250"	Height	438
2.375"	Core Thickness	60
4.000"	Inlet Connection	100
4.000"	Outlet Connection	100

### Truck Type:

Model	Years
330HP Conventional w/Cat Engine	1995 & Up

### Replaces These OEM Part Numbers:

Manufacturer	OEM #
Peterbilt	05-18997
Garrett	486-270-0004

### Ordering Information:

	<b>AeroSeal</b>	<b>Turbo-Max</b>
Order #	PB24A-FA01	PB24A-FA02
Price		

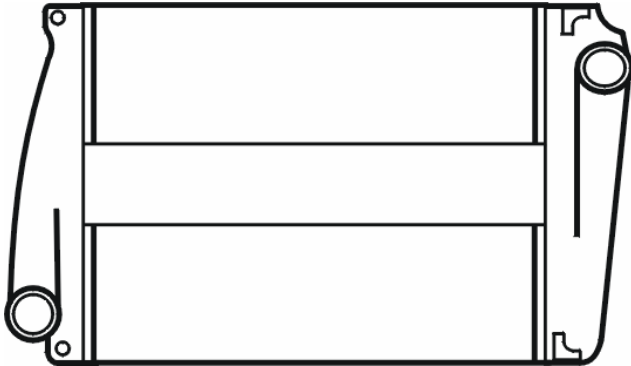
Call To Order: 800-398-5471

Or visit our web site:

www.chargeaircoolers.com

# PETERBILT

## FLEET AIR PART #.....PB23A



### Dimensional Data: PB23A

INCHES	CORE SIZE	MM
35.629"	Width	905
29.409"	Height	747
2.625"	Core Thickness	66
4.000"	Inlet Connection	100
4.000"	Outlet Connection	100

### Truck Type:

Model	Years
Trash Truck w/PTO	

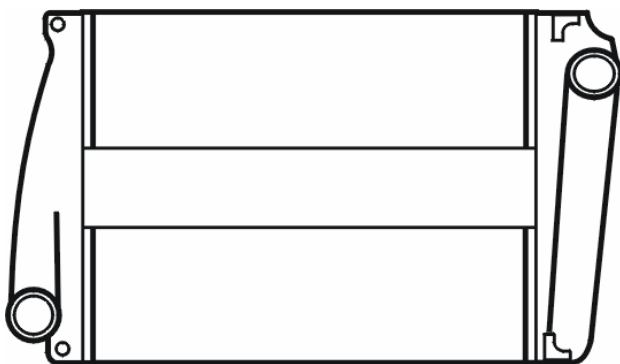
### Replaces These OEM Part Numbers:

Manufacturer	OEM #
Peterbilt	05-17337
Modine	IE 3445

### Ordering Information:

	<b>AeroSeal</b>	<b>Turbo-Max</b>
Order #	PB23A-FA01	PB23A-FA02
Price		

## FLEET AIR PART #.....PB23B



### Dimensional Data: PB23B

INCHES	CORE SIZE	MM
35.629"	Width	905
29.409"	Height	747
2.625"	Core Thickness	66
3.000"	Inlet Connection	75
4.000"	Outlet Connection	100

### Truck Type:

Model	Years
Trash Truck w/PTO	

### Replaces These OEM Part Numbers:

Manufacturer	OEM #
Peterbilt	05-18005
Modine	IE 3543

### Ordering Information:

	<b>AeroSeal</b>	<b>Turbo-Max</b>
Order #	PB23B-FA01	PB23B-FA02
Price		

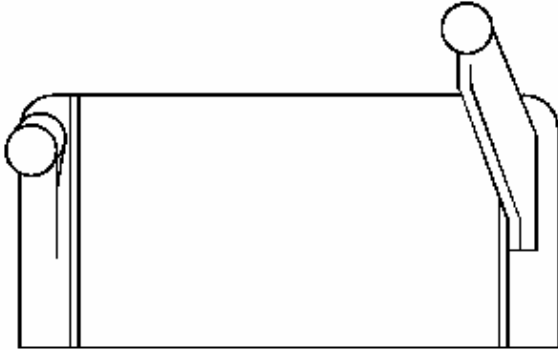
Call To Order: 800-398-5471

Or visit our web site:

www.chargeaircoolers.com

# PETERBILT

## FLEET AIR PART #.....PB20E



### Dimensional Data: PB20E

INCHES	CORE SIZE	MM
25.875"	Width	647
19.000"	Height	475
3.500"	Core Thickness	88
4.000"	Inlet Connection	100
4.000"	Outlet Connection	100

### Truck Type:

Model	Years
387 HP	2000 and up
Truck body like T2000	

### Replaces These OEM Part Numbers:

Manufacturer	OEM #
Modine	IE 4580

### Ordering Information:

	<b>AeroSeal</b>	<b>Turbo-Max</b>
Order #	PB20E-FA01	PB20E-FA02
Price		

## FLEET AIR PART #.....

### Truck Type:

Model	Years

### Replaces These OEM Part Numbers:

Manufacturer	OEM #

### Ordering Information:

	<b>AeroSeal</b>	<b>Turbo-Max</b>
Order #		
Price		

### Dimensional Data:

INCHES	CORE SIZE	MM
0.000"	Width	0
0.000"	Height	0
0.000"	Core Thickness	0
0.000"	Inlet Connection	0
0.000"	Outlet Connection	0