

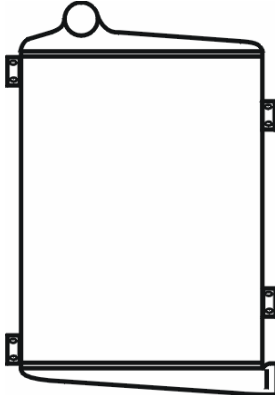
Call To Order: 800-398-5471

Or visit our web site:

www.chargeaircoolers.com

MACK / MERCEDES BENZ

FLEET AIR PART #.....MER40C



Dimensional Data: MER40C

INCHES	CORE SIZE	MM
28.346"	Width	720
19.488"	Height	425
1.625"	Core Thickness	41
3.187"	Inlet Connection	81
3.187"	Outlet Connection	81

Truck Type:

Model	Years
Midliner	

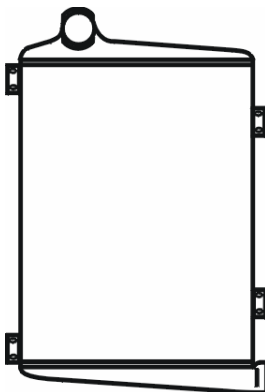
Replaces These OEM Part Numbers:

Manufacturer	OEM #
Valeo	50277458
Vaelo	5000452223

Ordering Information:

	AeroSeal	Turbo-Max
Order #	MER40C-FA01	MER40C-FA02
Price		

FLEET AIR PART #.....MER40B



Dimensional Data: MER40B

INCHES	CORE SIZE	MM
25.590"	Width	650
19.488"	Height	495
1.625"	Core Thickness	41
3.187"	Inlet Connection	81
3.187"	Outlet Connection	81

Truck Type:

Model	Years
Midliner	

Replaces These OEM Part Numbers:

Manufacturer	OEM #
Valeo	50417716
Valeo	50477116
Chausson	50477116
Valeo	105-000-541-3509

Ordering Information:

	AeroSeal	Turbo-Max
Order #	MER40B-FA01	MER40B-FA02
Price		

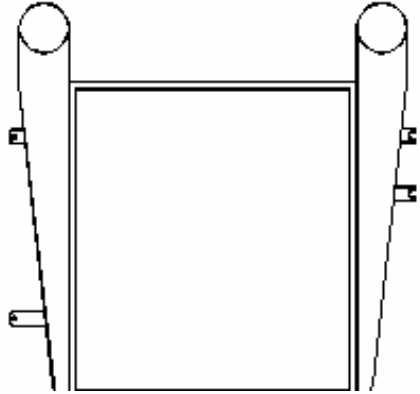
Call To Order: 800-398-5471

Or visit our web site:

www.chargeaircoolers.com

MACK / MERCEDES BENZ

FLEET AIR PART #.....MER40A



Dimensional Data: MER40A

INCHES	CORE SIZE	MM
19.250"	Width	482
22.125"	Height	554
N.A."	Core Thickness	N.A.
3.500"	Inlet Connection	88
3.500"	Outlet Connection	88

Truck Type:

Model	Years

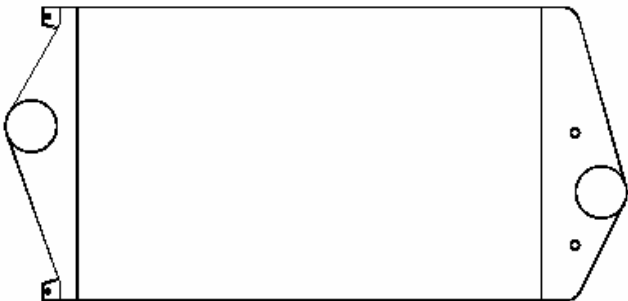
Replaces These OEM Part Numbers:

Manufacturer	OEM #
Mercedes Benz	376501 5501
Mercedes Benz	22-013-20-001

Ordering Information:

	AeroSeal	Turbo-Max
Order #	MER40A-FA01	MER40A-FA02
Price		

FLEET AIR PART #.....MER41A



Dimensional Data: MER41A

INCHES	CORE SIZE	MM
27.250"	Width	682
17.062"	Height	427
N.A."	Core Thickness	N.A.
3.000"	Inlet Connection	75
3.000"	Outlet Connection	75

Truck Type:

Model	Years

Replaces These OEM Part Numbers:

Manufacturer	OEM #
Mercedes Benz	376501 3301
Mercedes Benz	22-016-20-001

Ordering Information:

	AeroSeal	Turbo-Max
Order #	MER41A-FA01	MER41A-FA02
Price		

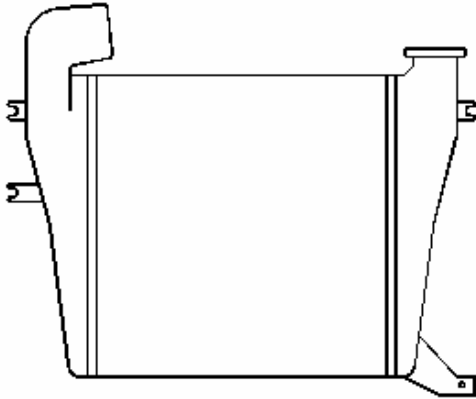
Call To Order: 800-398-5471

Or visit our web site:

www.chargeaircoolers.com

MACK / MERCEDES BENZ

FLEET AIR PART #.....MER41B



Dimensional Data: MER41B

INCHES	CORE SIZE	MM
16.500"	Width	720
17.125"	Height	425
N.A."	Core Thickness	N.A.
3.000"	Inlet Connection	75 - Bolt Flange
3.000"	Outlet Connection	75

Truck Type:

Model	Years

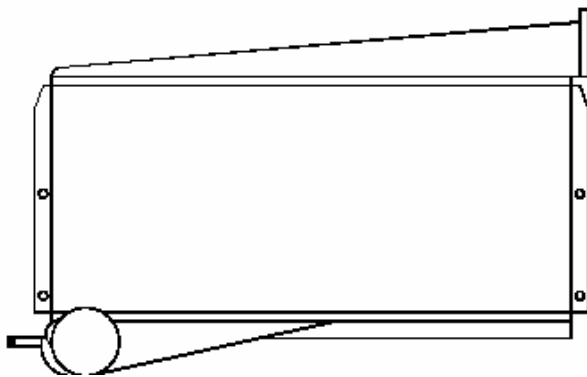
Replaces These OEM Part Numbers:

Manufacturer	OEM #
Garrett	491-980-2
Mercedes Benz	3765000003

Ordering Information:

	AeroSeal	Turbo-Max
Order #	MER41B-FA01	MER41B-FA02
Price		

FLEET AIR PART #.....MER41C



Dimensional Data: MER41C

INCHES	CORE SIZE	MM
30.750"	Width	769
13.375"	Height	335
N.A."	Core Thickness	N.A.
4.000"	Inlet Connection	100-Bolt Flange
4.000"	Outlet Connection	100

Truck Type:

Model	Years

Replaces These OEM Part Numbers:

Manufacturer	OEM #
Mercedes Benz	22-031-20-001
Mercedes Benz	655-501-00-01

Ordering Information:

	AeroSeal	Turbo-Max
Order #	MER41C-FA01	MER41C-FA02
Price		