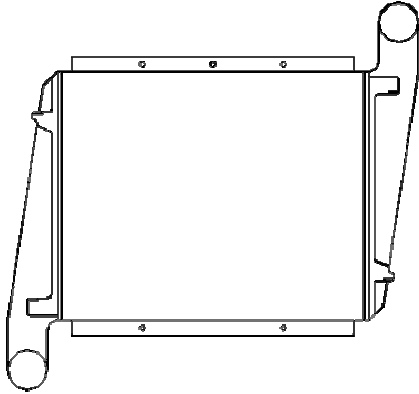


Call To Order: 800-398-5471
 Or visit our web site:
 www.chargeaircoolers.com

GILLIG BUS

FLEET AIR PART #.....GB230A



Dimensional Data: GB230A

INCHES	CORE SIZE	MM
30.500"	Width	763
25.062"	Height	627
2.750"	Core Thickness	69
4.000"	Inlet Connection	100
4.000"	Outlet Connection	100

Truck Type:

Model	Years

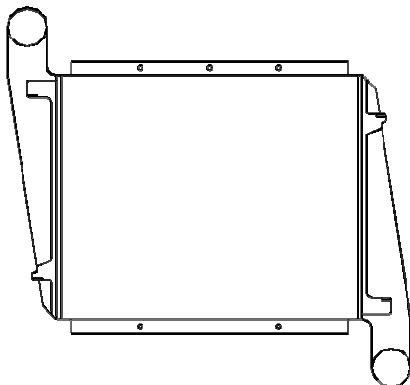
Replaces These OEM Part Numbers:

Manufacturer	OEM #
Modine	IE 3884
Modine	IE 4209

Ordering Information:

	AeroSeal	Turbo-Max
Order #	GB230A-FA01	GB230A-FA02
Price		

FLEET AIR PART #.....GB230R



Dimensional Data: GB230R

INCHES	CORE SIZE	MM
30.500"	Width	763
25.062"	Height	627
2.750"	Core Thickness	69
4.000"	Inlet Connection	100
4.000"	Outlet Connection	100

Truck Type:

Model	Years

Replaces These OEM Part Numbers:

Manufacturer	OEM #
N.A.	N.A.

Ordering Information:

	AeroSeal	Turbo-Max
Order #	GB230R-FA01	GB230R-FA02
Price		

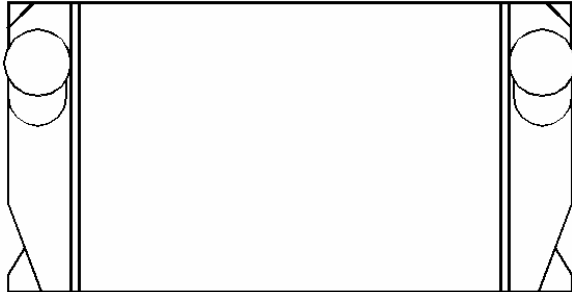
Call To Order: 800-398-5471

Or visit our web site:

www.chargeaircoolers.com

GILLIG BUS

FLEET AIR PART #.....GB230B



Dimensional Data: GB230B

INCHES	CORE SIZE	MM
25.375"	Width	635
17.605"	Height	441
3.000"	Core Thickness	75
4.000"	Inlet Connection	100
4.000"	Outlet Connection	100

Truck Type:

Model	Years
Flexliner	

Replaces These OEM Part Numbers:

Manufacturer	OEM #
Modine	IE 4055

Ordering Information:

	AeroSeal	Turbo-Max
Order #	GB230B-FA01	GB230B-FA02
Price		

FLEET AIR PART #.....

Truck Type:

Model	Years

Replaces These OEM Part Numbers:

Manufacturer	OEM #

Ordering Information:

	AeroSeal	Turbo-Max
Order #		
Price		

Dimensional Data:

INCHES	CORE SIZE	MM
0.000"	Width	0
0.000"	Height	0
0.000"	Core Thickness	0
0.000"	Inlet Connection	0
0.000"	Outlet Connection	0